

Specification

AN4240 module (Preliminary)

SSC		고객명
Drawn	Approval	Approval

Contents

- 1. Part number**
- 2. Outline dimensions**
- 3. Characteristics**

Part number of AN4240 module

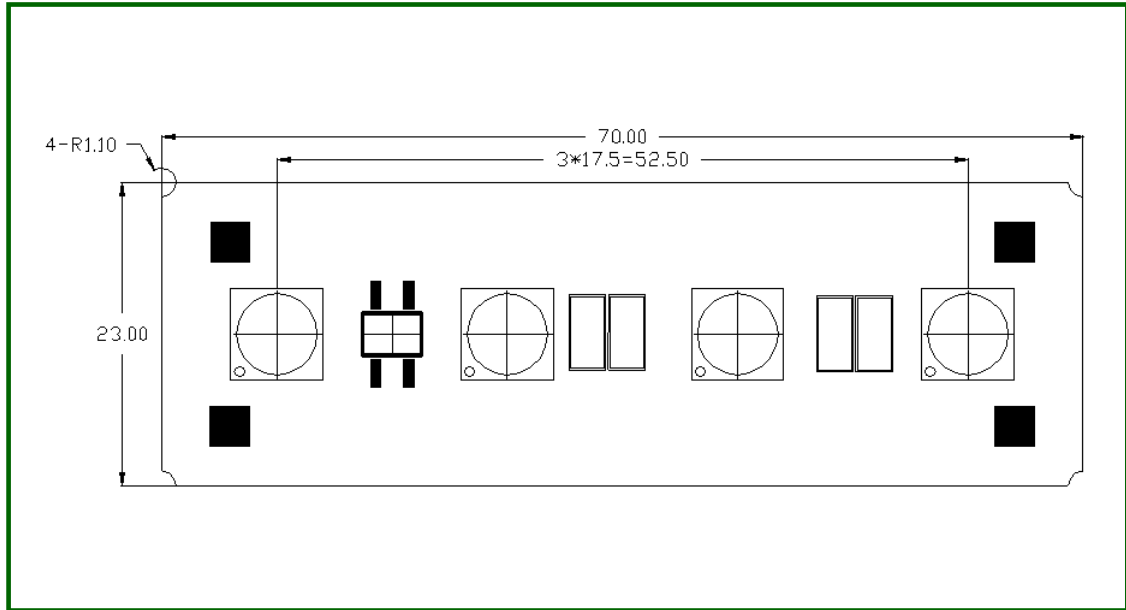
1. Part Number form : A X₁ X₂ X₃ X₄ X₅

X₁	Color	N	Warm white
X₂	Acriche series	4	A4 series
X₃	Lens type	2	Dome type
X₄	Voltage	0	100V(AC)
		1	110V(AC)
		2	220V(AC)
		3	230V(AC)
X₅	PCB type	1	4W Compact
		2	4W Square
		3	4W Line
		4	8W Bulb

For more information about binning and labeling, refer to the Application Note -1

Outline dimensions

1. AN4211

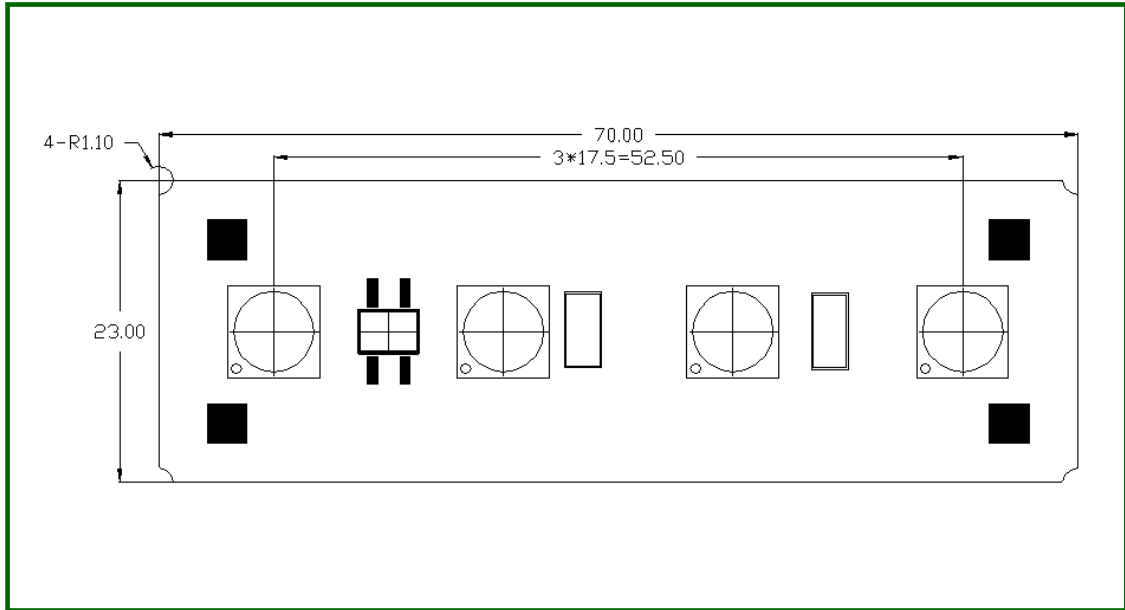


Notes :

- [1] All dimensions are in millimeters. (Tolerance : ±0.2)
- [2] Scale : none
- [3] The appearance and specifications of the product may be changed for improvement without notice

Outline dimensions

2. AN4221

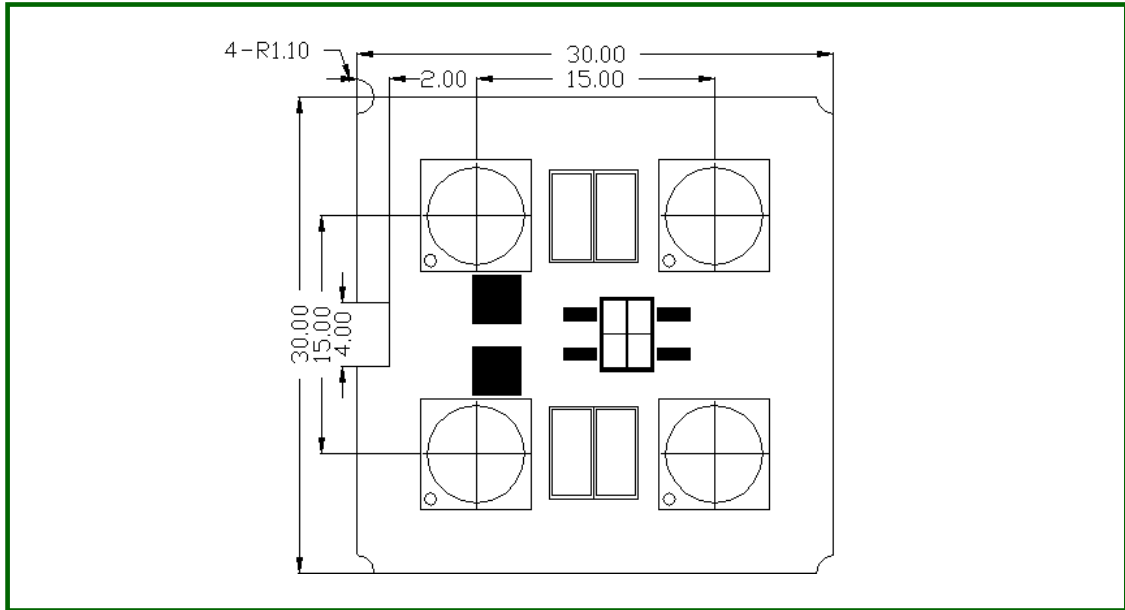


Notes :

- [1] All dimensions are in millimeters. (Tolerance : ±0.2)
- [2] Scale : none
- [3] The appearance and specifications of the product may be changed for improvement without notice

Outline dimensions

3. AN4212

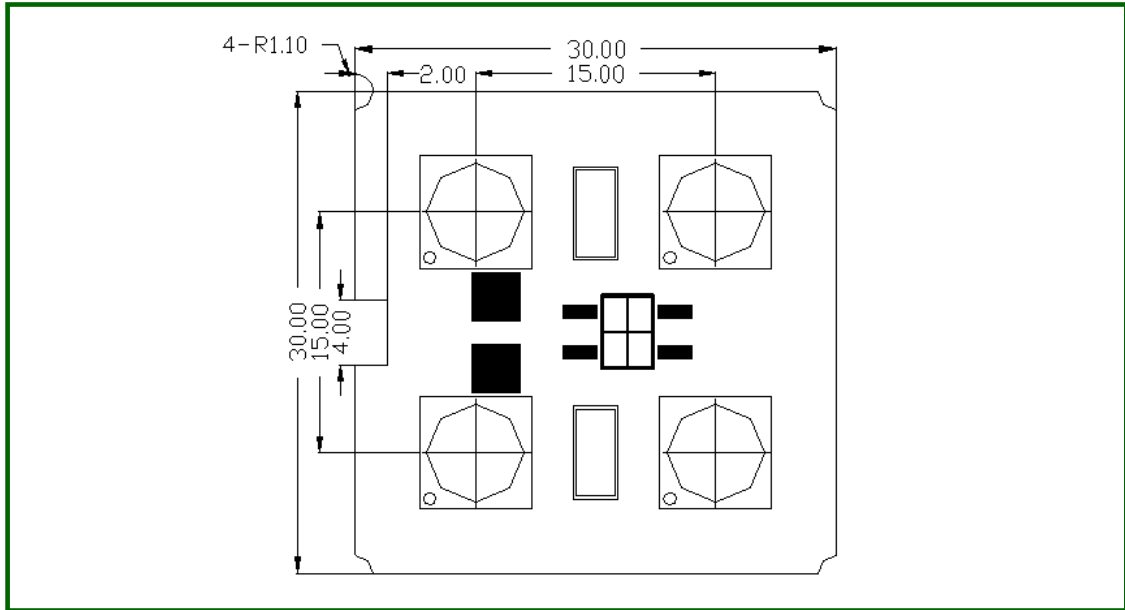


Notes :

- [1] All dimensions are in millimeters. (Tolerance : ± 0.2)
- [2] Scale : none
- [3] The appearance and specifications of the product may be changed for improvement without notice

Outline dimensions

4. AN4222

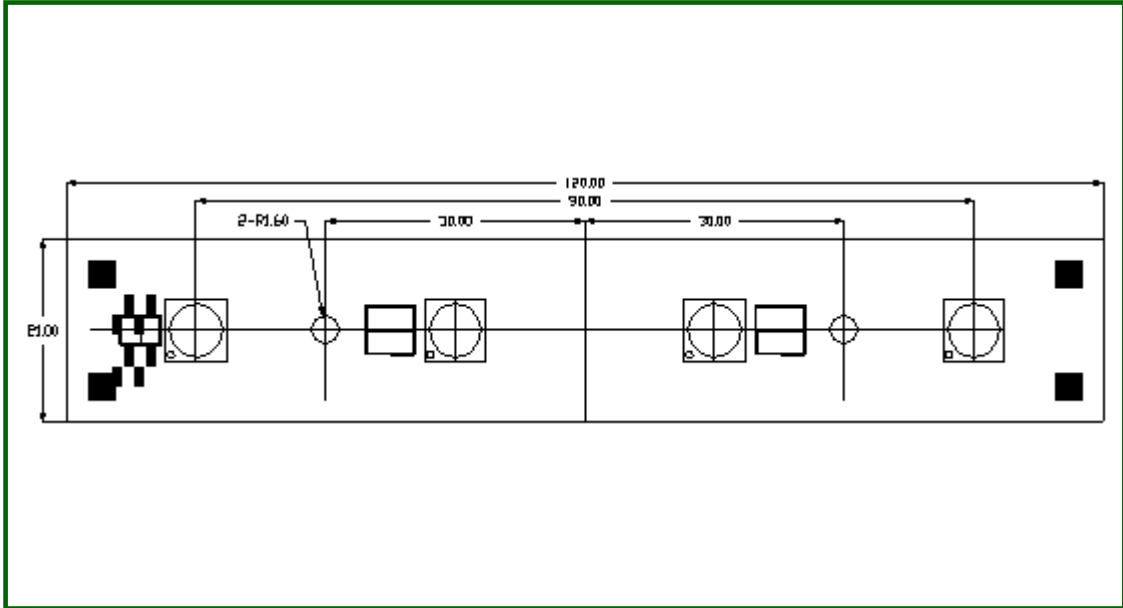


Notes :

- [1] All dimensions are in millimeters. (Tolerance : ± 0.2)
- [2] Scale : none
- [3] The appearance and specifications of the product may be changed for improvement without notice

Outline dimensions

5. AN4213

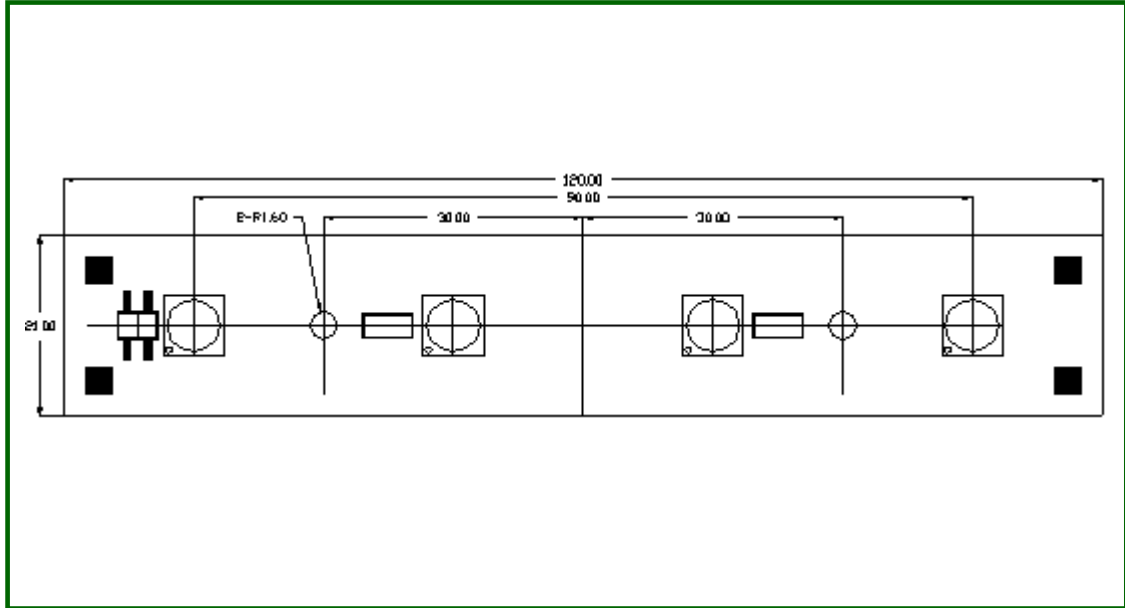


Notes :

- [1] All dimensions are in millimeters. (Tolerance : ±0.2)
- [2] Scale : none
- [3] The appearance and specifications of the product may be changed for improvement without notice

Outline dimensions

6. AN4223

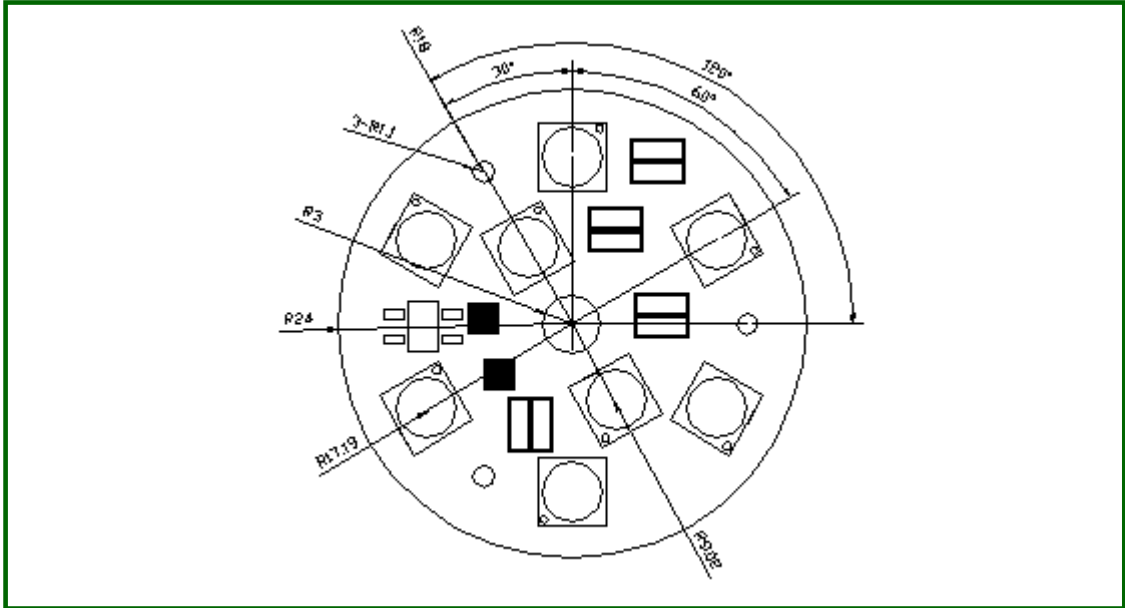


Notes :

- [1] All dimensions are in millimeters. (Tolerance : ± 0.2)
- [2] Scale : none
- [3] The appearance and specifications of the product may be changed for improvement without notice

Outline dimensions

7. AN4214

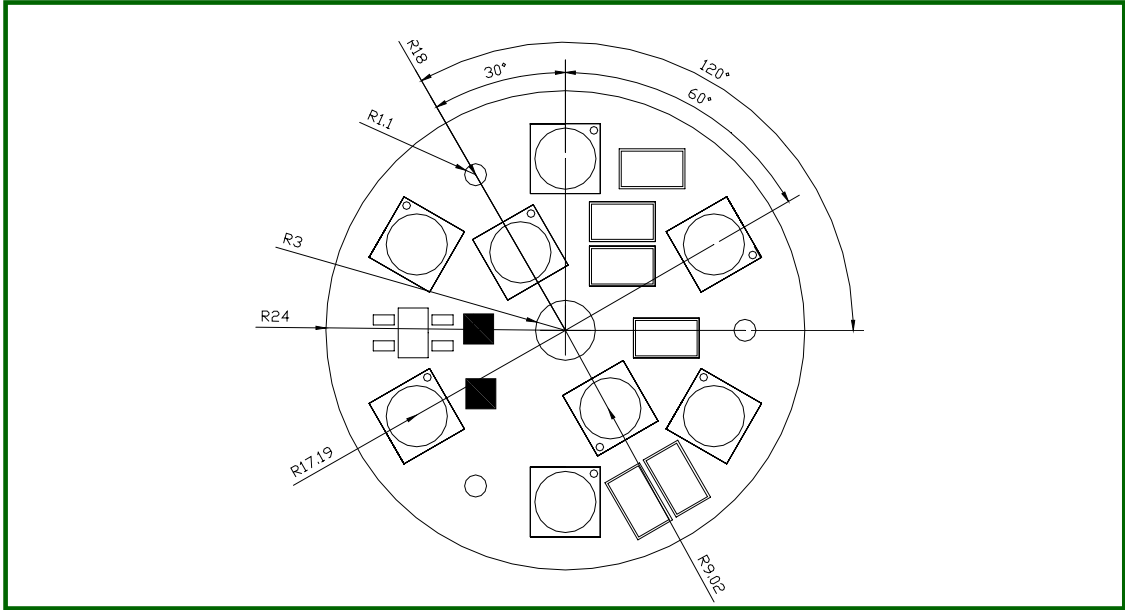


Notes :

- [1] All dimensions are in millimeters. (Tolerance : ± 0.2)
- [2] Scale : none
- [3] The appearance and specifications of the product may be changed for improvement without notice

Outline dimensions

8. AN4224



Notes :

- [1] All dimensions are in millimeters. (Tolerance : ±0.2)
- [2] Scale : none
- [3] The appearance and specifications of the product may be changed for improvement without notice

Characteristics of AN4240 module

1. AN4211/AN4212/AN4213

1-1 Electro-Optical characteristics at 110V[RMS] Ta=25°C

Parameter	Symbol	Value			Unit
		Min	Typ	Max	
Luminous Flux [1]	Φ_V [2]	-	200	-	lm
Illuminance [3]	Φ_I	-	-	-	lx
Correlated Color Temperature [4]	CCT	-	3000	-	K
CRI	R_a	-	85	-	-
Operating Current	I_{opt}	-	40	-	mA [RMS]
Power Dissipation	P_D	4			W
Operating Frequency	Freq	50 / 60			Hz

1-2 Absolute Maximum Ratings

Parameter	Symbol	Value	Unit
Power Dissipation	P_D	-	W
Junction Temperature	T_j	125	°C
Operating Temperature	T_{opr}	-30 ~ +85	°C
Storage Temperature	T_{stg}	-40 ~ +120	°C
ESD Sensitivity	-	±6,000V HBM	-

*Notes :

- [1] Acriche series maintains a tolerance of ±10% on flux and power measurements.
- [2] Φ_V is the total luminous flux output as measured with an integrated sphere.
- [3] Illuminance is measured at 50cm distance
- [4] Correlated Color Temperature is derived from the CIE 1931 Chromaticity diagram.
CCT ±5% tester tolerance
- [5] 'Operating Voltage' doesn't indicate the maximum voltage which customers use, but it means tolerable voltage according to the voltage variation rate by one's country.
It is recommended that the temperature of solder pad should be below 70 °C.

Characteristics of AN4240 module

2. AN4221/AN4222/AN4223

2-1 Electro-Optical characteristics at 220V[RMS] Ta=25°C

Parameter	Symbol	Value			Unit
		Min	Typ	Max	
Luminous Flux ^[1]	Φ_V ^[2]	-	200	-	lm
Illuminance ^[3]	Φ_I	-	-	-	lx
Correlated Color Temperature ^[4]	CCT	-	3000	-	K
CRI	R _a	-	85	-	-
Operating Current	I _{opt}	-	20	-	mA [RMS]
Power Dissipation	P _D	4			W
Operating Frequency	Freq	50 / 60			Hz

2-2 Absolute Maximum Ratings

Parameter	Symbol	Value	Unit
Power Dissipation	P _D	-	W
Junction Temperature	T _j	125	°C
Operating Temperature	T _{opr}	-30 ~ +85	°C
Storage Temperature	T _{stg}	-40 ~ +120	°C
ESD Sensitivity	-	±6,000V HBM	-

*Notes :

- [1] Acriche series maintains a tolerance of ±10% on flux and power measurements.
- [2] Φ_V is the total luminous flux output as measured with an integrated sphere.
- [3] Illuminance is measured at 50cm distance
- [4] Correlated Color Temperature is derived from the CIE 1931 Chromaticity diagram.
CCT ±5% tester tolerance
- [5] 'Operating Voltage' doesn't indicate the maximum voltage which customers use, but it means tolerable voltage according to the voltage variation rate by one's country.
It is recommended that the temperature of solder pad should be below 70 °C.

Characteristics of AN4240 module

3. AN4214

3-1 Electro-Optical characteristics at 110V[RMS] Ta=25°C

Parameter	Symbol	Value			Unit
		Min	Typ	Max	
Luminous Flux ^[1]	Φ_V ^[2]	-	400	-	lm
Illuminance ^[3]	Φ_I	-	-	-	lx
Correlated Color Temperature ^[4]	CCT	-	3000	-	K
CRI	R _a	-	85	-	-
Operating Current	I _{opt}	-	80	-	mA [RMS]
Power Dissipation	P _D	8			W
Operating Frequency	Freq	50 / 60			Hz

3-2 Absolute Maximum Ratings

Parameter	Symbol	Value	Unit
Power Dissipation	P _D	-	W
Junction Temperature	T _j	125	°C
Operating Temperature	T _{opr}	-30 ~ +85	°C
Storage Temperature	T _{stg}	-40 ~ +120	°C
ESD Sensitivity	-	±6,000V HBM	-

*Notes :

- [1] Acriche series maintains a tolerance of ±10% on flux and power measurements.
- [2] Φ_V is the total luminous flux output as measured with an integrated sphere.
- [3] Illuminance is measured at 50cm distance
- [4] Correlated Color Temperature is derived from the CIE 1931 Chromaticity diagram.
CCT ±5% tester tolerance
- [5] 'Operating Voltage' doesn't indicate the maximum voltage which customers use, but it means tolerable voltage according to the voltage variation rate by one's country.
It is recommended that the temperature of solder pad should be below 70 °C.

Characteristics of AN4240 module

4. AN4224

4-1 Electro-Optical characteristics at 220V[RMS] Ta=25°C

Parameter	Symbol	Value			Unit
		Min	Typ	Max	
Luminous Flux [1]	Φ_V [2]	-	400	-	lm
Illuminance [3]	Φ_I	-	-	-	lx
Correlated Color Temperature [4]	CCT	-	3000	-	K
CRI	R_a	-	85	-	-
Operating Current	I_{opt}	-	40	-	mA [RMS]
Power Dissipation	P_D	8			W
Operating Frequency	Freq	50 / 60			Hz

4-2 Absolute Maximum Ratings

Parameter	Symbol	Value	Unit
Power Dissipation	P_D	-	W
Junction Temperature	T_j	125	°C
Operating Temperature	T_{opr}	-30 ~ +85	°C
Storage Temperature	T_{stg}	-40 ~ +120	°C
ESD Sensitivity	-	±6,000V HBM	-

*Notes :

- [1] Acriche series maintains a tolerance of ±10% on flux and power measurements.
- [2] Φ_V is the total luminous flux output as measured with an integrated sphere.
- [3] Illuminance is measured at 50cm distance
- [4] Correlated Color Temperature is derived from the CIE 1931 Chromaticity diagram.
CCT ±5% tester tolerance
- [5] 'Operating Voltage' doesn't indicate the maximum voltage which customers use, but it means tolerable voltage according to the voltage variation rate by one's country.
It is recommended that the temperature of solder pad should be below 70 °C.